

Silver nickel electrical contact

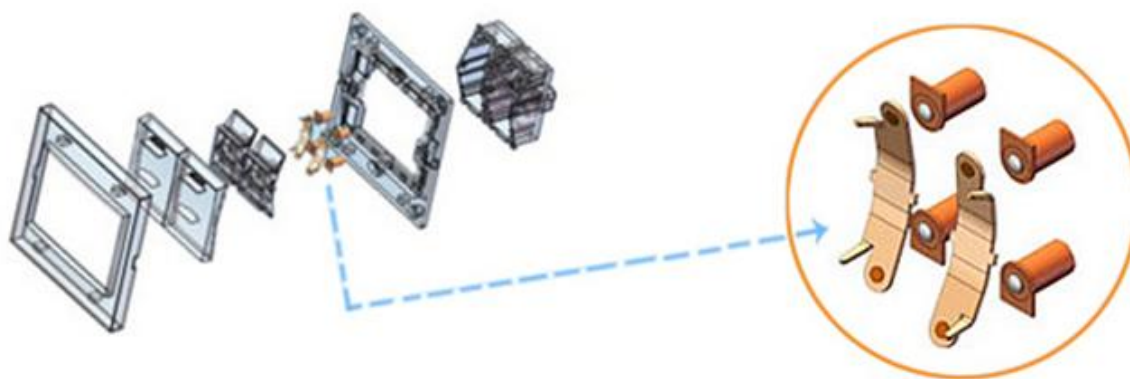
Electrical Contact factory, more than 10 years manufacture experience, attained ISO9001, work on OEM and ODM projects..

1. Introduction of Silver nickel electrical contact

Silver nickel AgNi electrical contact has a high level of electrical and thermal conductivity, good plasticity and arc corrosion resistance, as well as a very low contact resistance.

2. Application of Silver nickel electrical contact

Mainly used in all kinds of switch, controller, voltage regulator, circuit breaker, automotive electrical, magnetic starter, and so on. Normally suit for the electric current which below 100A, AgNi10 is commonly used to the AC contactor below 20A, AgNi (15 ~ 40) are able to bear a larger electric load.



3. Main Materials for Silver nickel electrical contact

AgNi10, AgNi12, AgNi15, AgNi20, AgNi30

Category	Density g/cm ³ ≥	Electrical conductivity .cm ≤	Hardness soft HV ≥	Tensile strength soft MPa ≥
AgNi ₁₀	10~10.32	2.10	75	310
AgNi ₁₂	10~10.32	2.1	75	
AgNi ₁₅	9.9~10.23	2.2	76	320
AgNi ₂₀	9.8~10.15	2.3	77	320
AgNi ₃₀	9.7~9.97	2.7	80	

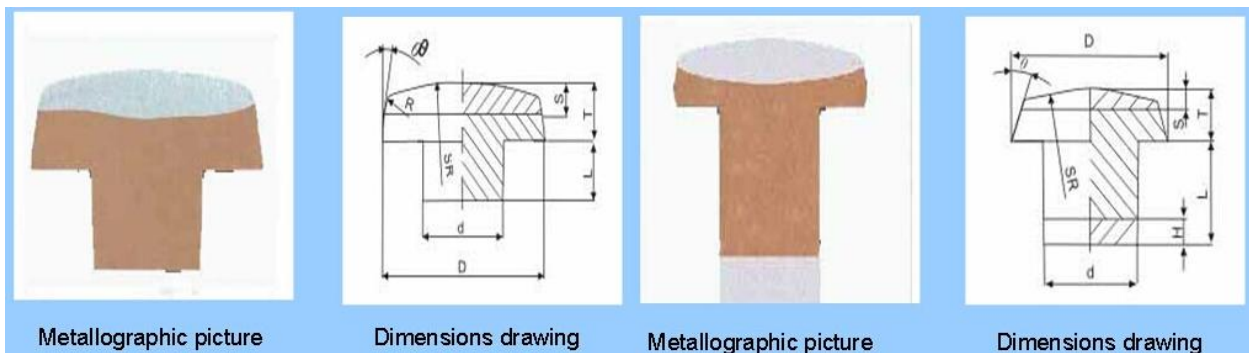
4. Specification of Silver nickel electrical contact

Dimensions can be customized

Contact rivet dimension and tolerance							
Item	Head Diameter D(mm)	Head Thickness T(mm)	Layer Thickness S(mm)	Shank Diameter d(mm)	Shank Length L(mm)	Sphere Radian R(mm)	Mold Ratio θ
Specification	2.5	0.6-1	0.3-0.4	1.2-1.5	1-2	4-6	9
	3	0.8-1.2	0.3-0.5	1.5		6-8	
	3.5			1.5-2.0		8-10	
	4	1.0-1.5		2	10-15		
	4.5		2.0-2.5	15-20			
	5	1.0-2.0	0.4-0.6	2.5	1-3	20-25	
	5.5			2.5-3.0			
	6			3			
	6.5	1.2-2.0	0.5-0.7	3.0-3.5			
	7			3.5			
8	4						
Tolerance	± 0.1	± 0.05	± 0.05	± 0.05	± 0.15	± 0.2	± 2

5. Product types for Silver nickel electrical contact

Round head rivets, Flat head rivets, Bimetal rivets, Tri-metal rivets and special type



6. Process of Silver nickel electrical contact

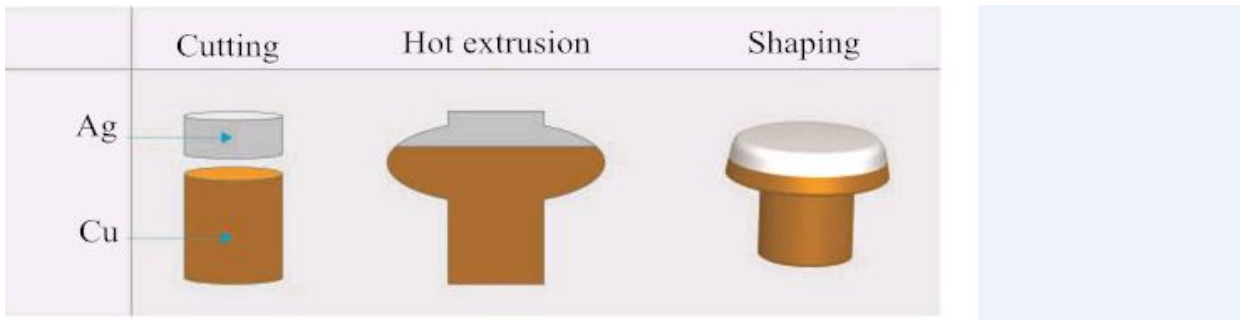
a. Silver on the tip:

Silver wire + copper wire—Hot extrusion---Shaping

Address: No.16 Shuanggang street, Tangchun Village, Liaobu Town, 523407 Dongguan , Guangdong, China

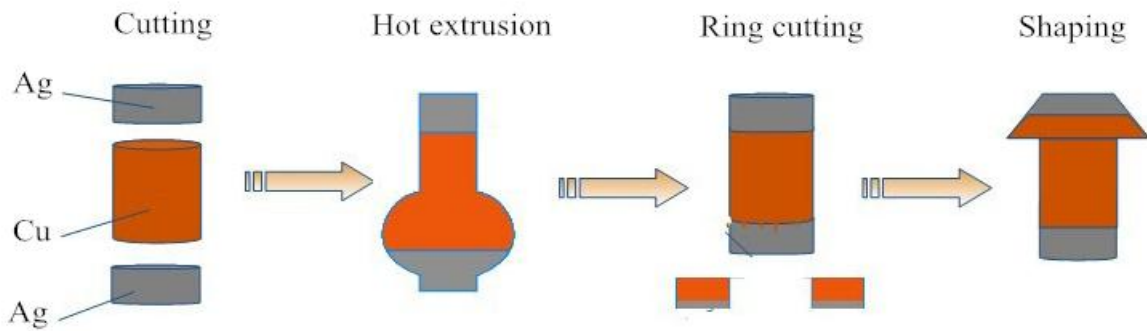
Phone: +86-769-89800565

E-mail:sales@intmc.com



b. Silver on the tip and bottom

Silver wire + copper wire—Hot extrusion---Ring cutting---Shaping



7. Manufacture plant of Silver nickel electrical contact



8. Mill certificate for Silver nickel electrical contact

Address: No.16 Shuanggang street, Tangchun Village, Liaobu Town, 523407 Dongguan , Guangdong, China
 Phone: +86-769-89800565
 E-mail:sales@intmc.com

Inspection Results							
No	Item	Standard	n ₁	n ₂	n ₃	\bar{X}	Y/N
1	O(mm)	3.1 +0 -0.03	3.09	3.09	3.09	3.09	Y
2	Hardness		82.6	83.1	83.0	82.5	Y
3	Appearance						Y
4	Ag (wt%)	90.0 ±0.8	89.60				Y
5	Mox (wt%)	Rem	Rem				Y



No.: GZ1002015036/CHEM

Date: FEB 26, 2015

Page 4 of 4

Sample photo:



SGS authenticate the photo on original report only

*** End of Report ***

9. Packing and shipping for Silver nickel electrical contact

Packing:

First put 500-5000 pcs into small plastic bags or vacuum plastic bags, then in separated small carton box, at last into hard cardboard box.

INT INT METAL
PRODUCTS
INT METAL PRODUCTS CO., LTD



Shipping:

We will choose the best way according to customer's requests.

1. By Air, to the indicated airport.
2. By Express (FedEx, UPS, DHL, TNT, EMS), to the indicated address.
2. By Sea, to the indicated sea port.

Address: No.16 Shuanggang street, Tangchun Village, Liaobu Town, 523407 Dongguan , Gua ngdong, China
Phone: +86-769-89800565
E-mail:sales@intmc.com



10.FAQ

1. Do you have ISO certificate?

Yes, we obtained ISO9001

2. How long is your delivery time for electrical contacts?

15-25 days depend on the raw material condition

3. Do you make parts according to our design?

Yes, we always do as per customers drawings or Technical documents

4. Can you help us to choose suitable material?

Yes, we can recommend the most suitable material according to your application.

5. Do you provide sample? Free or charge?

Yes, if the sample in stock available, free of charge, if not, need to charge some mfg cost.